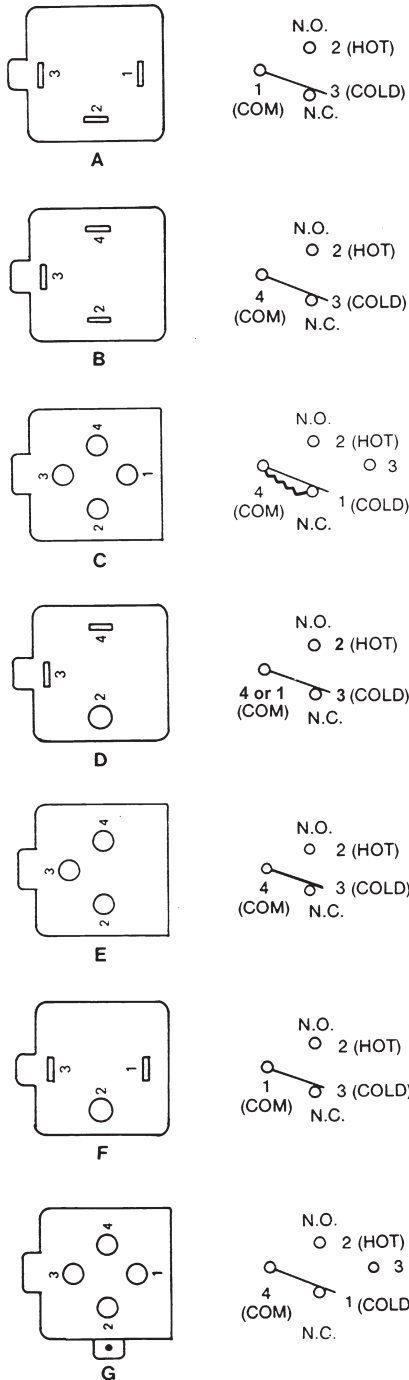


**TERMINAL PANELS  
CONFIGURATIONS**



**TYPES WITH SPADE TERMINALS**

O.E.M. Number	Original Capillary Length	Original Panel Types <sup>②</sup>	Suggested Replacement Type Number
3049-1	30 or 48"	A	3049-5
3049-3	26"	A	3049-3
3049-4	33"	A	3049-4
3049-5	48"	B	3049-5
3049-6	12"	B	3049-5
3049-7	24"	B	3049-5
3049-11	24"	B	None ①
3049-15	33"	A	3049-15
3049-18	30 or 33"	D	3049-18
3049-20	42"	B	None ①
3049-29	20"	B	3049-4
3049-31	12"	B	None
3049-32	12"	B	None
3049-33	24"	B	None
3049-36	48"	B	3049-5
3049-37	30"	B	3049-5
3049-41	24 or 48"	B	3049-41
3049-49	42"	B	3049-64
3049-52	30"	B, D	3049-115
3049-54	30"	B	3049-115
3049-55	30"	A, D	3049-115
3049-58	30"	B	3049-64

O.E.M. Number	Original Capillary Length	Original Panel Types <sup>②</sup>	Suggested Replacement Type Number
3049-59	30"	B	None ①
3049-61	24"	B	3049-64
3049-62	18"	B	None ①
3049-64	48"	D	3049-64
3049-66	30"	B	3049-115
3049-68	30"	B	3049-115
3049-70	30"	B	None ①
3049-71	30"	B	3049-4
3049-72	30"	E	None ①
3049-101	24"	B	None ①
3049-105	42"	B	3049-115
3049-106	24"	D	3049-115
3049-107	12"	B, D	3049-115
3049-111	24"	B, D	3049-115
3049-112	18"	B, D	3049-115
3049-114	30"	D	3049-115
3049-115	48"	D	3049-115
3049-119	24"	B	3049-115
3049-120	30"	B	3049-115
3049-121	18 or 42"	B	3049-115
3049-537	30"	B	None ①
3049-561	24"	B	None ①

**PLUG-IN TYPES**

O.E.M. Number	Original Capillary Length	Original Panel Types <sup>②</sup>	Suggested Replacement Type Number
3094-102	30"	C ③	3094-118
3094-111	30"	C ③	None ①
3094-118	48"	C ③	3094-118
3094-122	30"	C ③	None ①
3094-123	30"	G	3094-123
3094-127	48"	C ③	3094-118
3094-131	22"	C ③	None ①
3098-111	30"	E	3098-134
3098-117	24"	E	None ①
3098-120	30"	E	None ①
3098-122	30"	E	3098-156
3098-126	30"	E	3098-156
3098-127	24"	E	3098-156
3098-130	24"	E	3098-156
3098-131	30"	E	3098-156
3098-134	48"	E	3098-134
3098-135	48"	E	None ①
3098-136	30"	E	3098-134
3098-137	12"	E	None ①
3098-139	36"	E	None ①

O.E.M. Number	Original Capillary Length	Original Panel Types <sup>②</sup>	Suggested Replacement Type Number
3098-141	48"	E	3098-134
3098-142	30"	E	3098-156
3098-143	36"	E	3098-156
3098-147	18"	E	3098-134
3098-148	48"	E	None ①
3098-149	24 or 42"	E	3098-156
3098-151	26 or 33"	E	None ①
3098-153	24"	E	3098-156
3098-156	48"	E	3098-156
3098-161	24 or 30"	E	3098-134
3098-165	48"	E	3098-134
3098-168	48"	E	3098-156
3098-169	27"	E	3098-134
3098-171	30 or 42"	E	3098-156
3094-174	36"	E	3098-156
3098-175	18"	E	3098-156
3098-177	24"	E	None ①
3098-178	30"	E	None ①
3098-182	24 or 42"	E	3098-156
3098-183	12"	E	None ①
3098-184	42"	E	3098-134
3098-522	30"	E	3098-522
3098-536	30"	E	None ①

- ① Consult the O.E.M. for replacement type number
- ② Suggested replacement type may have different panel configuration. Some controls experienced modification. Determine proper wiring with the aid of panel diagrams A through G.
- ③ Note: Panel type C features an Electrical Quick Shut-Off Resistor (see diagram)

**CONTRACTOR TIP:** Mercury flame sensors can only be replaced by cross referencing the original mercury flame sensor model number. They can not be replaced by gas valve model number.



**30A46-5**

**FLAME SENSORS**

**FLAME SENSORS**

Model Number	Type Gas	Valve Type	Terminations	Cap Length	Comments
3046-5	Natural ③	①	Screw	48"	Recycling
30A46-5	Natural ③	②	Plug-in	48"	Recycling

- ① Screw terminals inside cover switch-case for use with any standard 24/120/240 VAC solenoid or diaphragm gas valve
- ② Plug-in switch-case for use with White-Rodgers "Silent Knight" (25G01 series) and "Cushioned Power" (25D46 series) solenoid valves
- ③ Types 3046-5 and 30A46-5 can be used on LP gases only if an external means for automatic pilot gas shut-off is provided